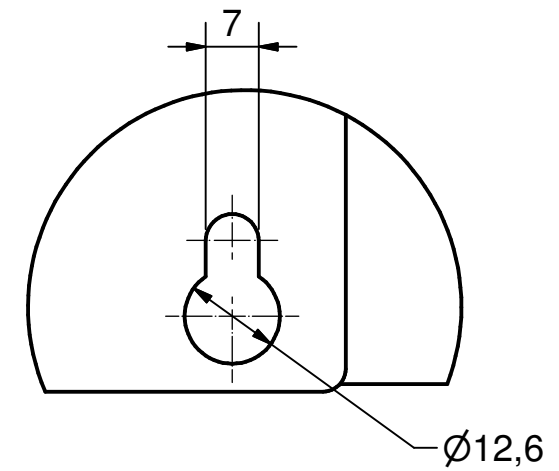
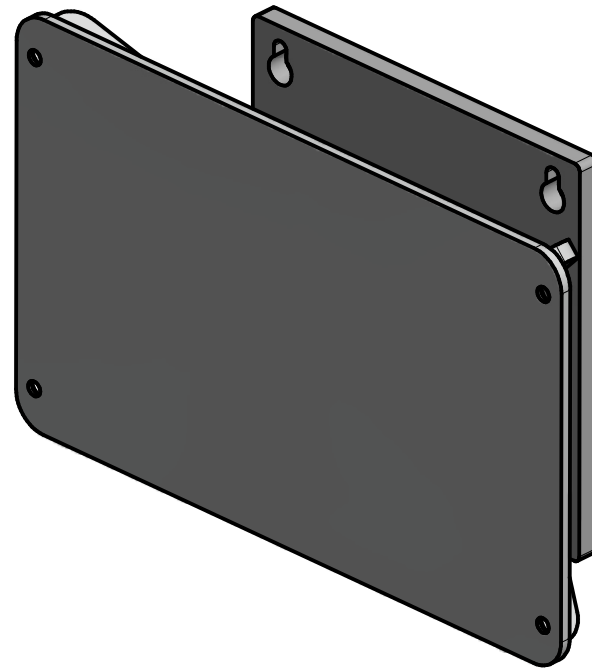
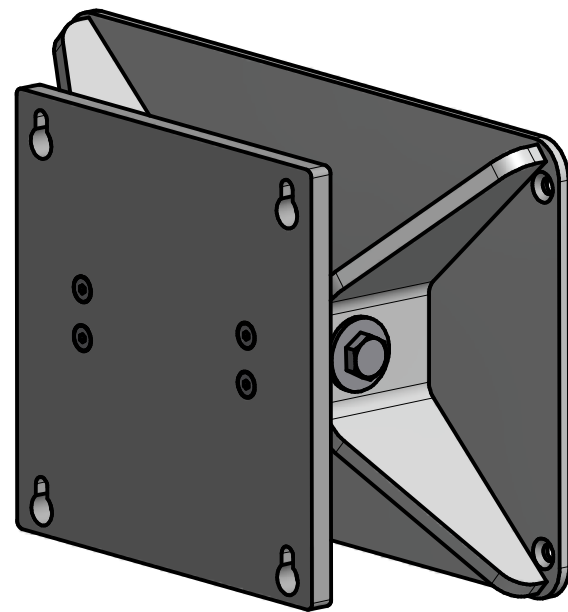


Ø6,6
 ✓ Ø12,4 X 90°



A (1:1)



Remove all burrs and sharp edges.

Material:		Surface: Powder coating black RAL 9005 in accordance with doc. no. KM-05 337883B		
Units: mm	Projection method:	General tolerances: ± 0,2 Hole position: ± 0,1 Angle, straightness and flatness: DS/ISO 2768-H	Sheet: 1 of 1	Drawing size: A3
ISK		Designed by	ksc	14-10-2014
		Approved by		
ISIC A/S, Edwin Rahrs Vej 54, DK-8220 Brabrand. Tlf.: +45 70207077. Web: www.isic.dk		Scale:	Drawing no.	Rev.
Subject: DuraMON Glass VESA wall			1:3	06064-001
This document contains proprietary information and is not to be used or reproduced without the written permission of ISIC A/S		Replaces:		