

EACIL67

IoT Gateway Mini PC with Intel® Celeron® N3350



KEY FEATURES

- Intel® Apollo Lake N3350, 1.1 GHz
- Full IP67, IoT gateway mini PC
- USB Type-C Port featuring Alt Mode: DP A/V output, USB Data, Power Delivery
- Fanless cooling system
- Suitable for smart factory and outdoor applications



SPECIFICATIONS

System Specification			
Processor	Intel Celeron N3350 1.1GHz (up to 2.4GHz) Intel Pentium N4200 1.1GHz (up to 2.5GHz) (Optional)	Memory	4GB LPDDR3
Storage	eMMC: Onboard 64 GB mSATA SSD 128GB (Optional)	Ethernet controller	2 x Intel® Ethernet Controller
Security	TPM 2.0	Operating System	Windows 10 IoT Enterprise (64 bit) (Optional) Linux Ubuntu 20.04 (Optional)
WLAN	Support (Optional)	BT	Support (Optional)
Mechanical			
Dimension	100 x 115 x 31 mm	Weight	1 kg
Mounting	Desk Mounting and Wall Mounting VESA Mounting (Optional)	Enclosure	Metal Housing
Cooling System	Fanless design		
Environment			
Operating Humidity	10% to 90% RH, Non-Condensing	Operating Temperature	-20°C to 60°C
Storage Temperature	-30°C to 70°C	Shock	Operating, IEC 60068-2-27
Vibration	Operating, IEC 60068-2-64	IP rating	IP67
Certification			
Certification	CE, FCC		
IO Ports			
Power Input	1 x 9~36V DC, M12 Type connector	USB Port	1 x M12 Waterproof USB2.0 1 x M12 Waterproof USB Type-C[Alt Mode]: -Display Port A/V output(Support max resolution 3840 x 2160@60Hz) -USB data -Power Delivery up to 15W(5V/3A)
Expansion Port	mPCIe: 1 x Full-size mPCIe slot	LAN	2 x Waterproof Giga LAN RJ45 Connector
Indicator	1 x LED Indicator for power	mini PCIe	1 x Mini PCIe
Accessory			
Accessory	Quick Start Guide M12 to Open Wire DC Cable WLAN External Antenna (For EACIL67-101-A464)		

VESA Mount Kit (Optional)
M12 to Open wire DC with CANBUS Cable
(Optional)
Waterproof USB Type-C to Standard USB Type-C
Cable (Optional)
Waterproof USB Type-C to Lockable USB Type-C
Cable (Optional)
Waterproof RJ45 LAN to Standard RJ45 LAN
Cable (Optional)
Waterproof USB Type-A male to Standard USB
Type-A female Cable (Optional)

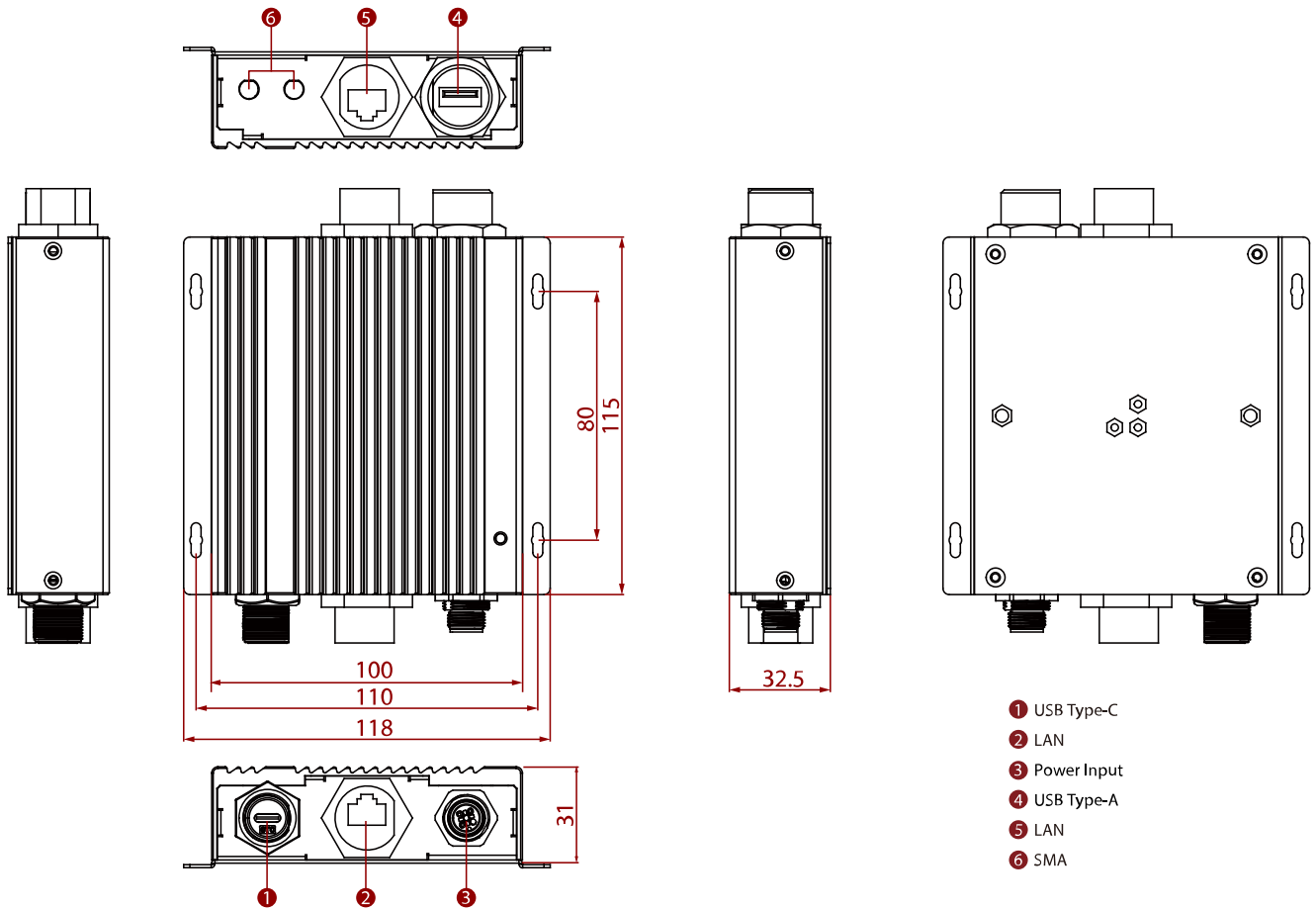
Power

Power Rating 9V~36V DC, 2-Pin Terminal Block **Adapter** 12V 36W

Ordering Information

Option EACIL67-101-A464 (With WLAN) (Optional)
EACIL67-104-A464 (With 1-port isolation
CANBUS) (Optional)

DIMENSIONS UNIT:MM



NOTE

1. This is a simplified drawing and some components are not marked in detail.
2. Please contact our sales representative if you need further product information.
3. The product shown in this datasheet is a standard model. For diagrams that contain customized or optional I/O, please contact the Winmate Sales Team for more information.