

I330EAC-ITW-6L

Intel® Core™ i5-1135G7 Marine Computer



KEY FEATURES

- Intel® Tiger Lake Core™ i5-1135G7, Marine computer
- RAM 4G DDR4L (Up to 32G)
- Removable 2.5" SSD drive bay
- Multi Video Output, DVI/HDMI/Display Port
- 6 x LAN port
- Isolation Power Protection 1.5KV
- DNVGL-CG-0339, IEC60945 Certificate



SPECIFICATIONS

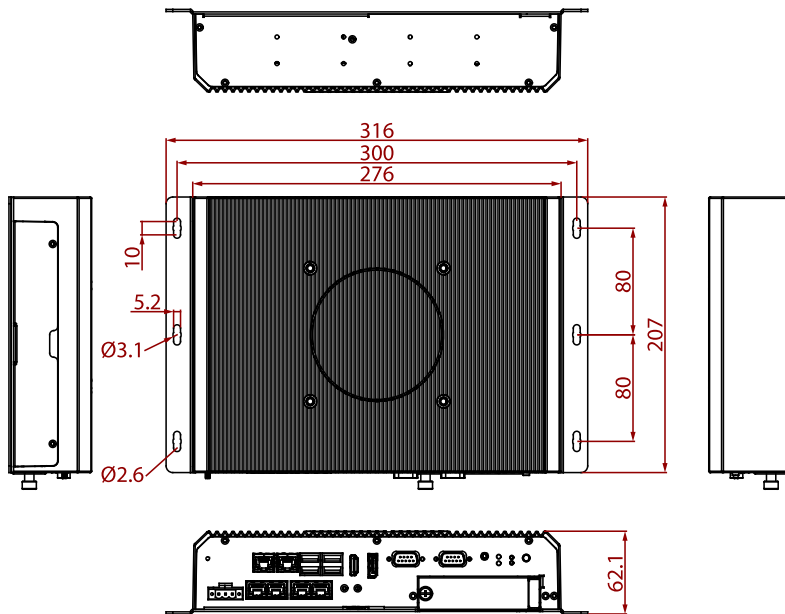
System Specification			
Processor	Intel Core i5-1135G7 2.4GHz (up to 4.2GHz)	Memory	2 x SODIMM, DDR4 2133 MHz, 4G 8GB (Optional) 16GB (Optional) 32GB (Optional)
Storage	1 x M.2 128GB 256GB (Optional) 512GB (Optional)	Ethernet controller	Intel® Ethernet Controller I211-AT + Intel® Ethernet Connection I219-LM
Operating System	Windows 10 IoT Enterprise (Optional)		
Environment			
Operating Humidity	5% to 95%	Operating Temperature	-15~55°C
Shock	15G, 11ms duration	Vibration	0.7g@DNVGL CG-0339 (Class A)
Certification			
Certification	CE / FCC DNVGL-CG-0339 IEC 60945 4th Edition (Test Report Available)		
IO Ports			
USB Port	4 x USB 3.0	Serial Port	2 x RS232/422/485
Video	1 x DVI 1 x Display Port 1 x HDMI Output (Optional)	Audio	1 x Audio combo 3.5mm audio combo jack
Expansion Port	2 x 2.5" Removable 64GB SSD/HDD up to 512GB (Optional)	LAN	6 x Giga LAN
Mechanical			
Dimension	316.44 x 206.8 x 62.1 mm (With Mounting)	Weight	3.9 kg
Mounting	table mount	Enclosure	Aluminum
Cooling System	Fanless Design		
Power			
Power Rating	24V DC In (Approval by Certificate) 9~36V DC Input Acceptable	Consumption	50W
Control			
Button	1 x Power Button		

1 x Reset Button

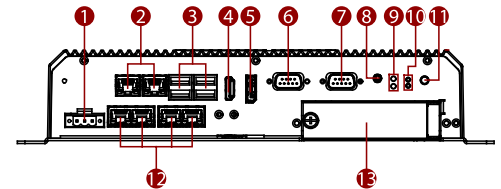
Accessory

Accessory	1 x Quick Start Guide(Hardcopy) 1 x Driver CD & User Manual 1 x Power Cord 1 x AC Adapter12V/ 84W
-----------	--

DIMENSIONS UNIT:MM



Front side I/O



- | | |
|-----------------|-----------------------------|
| 1 Power Input | 8 Audio (Mic in/ Line Out) |
| 2 Giga LAN | 9 HDD LED indicator |
| 3 USB 3.2 Gen.1 | 10 Reset/ Clear CMOS button |
| 4 HDMI | 11 Power Switch |
| 5 DP | 12 LAN |
| 6 COM | 13 Removable HDD/ SSD Slot |
| 7 COM | |

NOTE

1. This is a simplified drawing and some components are not marked in detail.
2. Please contact our sales representative if you need further product information.
3. All specifications are subject to change without prior notice.
4. The product shown in this datasheet is a standard model. For diagrams that contain customized or optional I/O, please contact the Winmate Sales Team for more information.