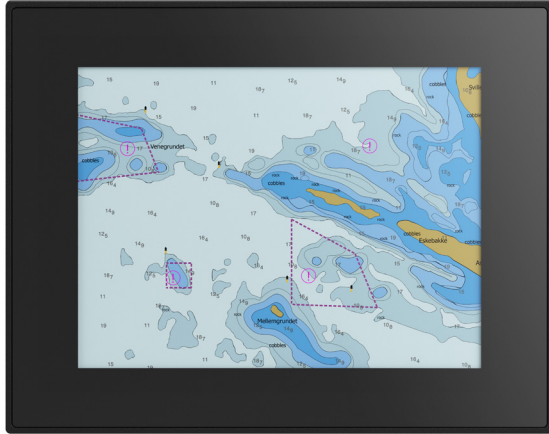


DuraPANEL 8" G-Line

Panel PC for demanding environments

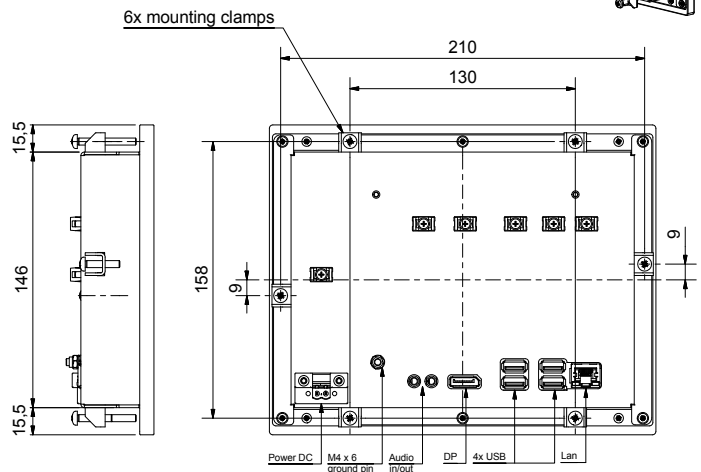
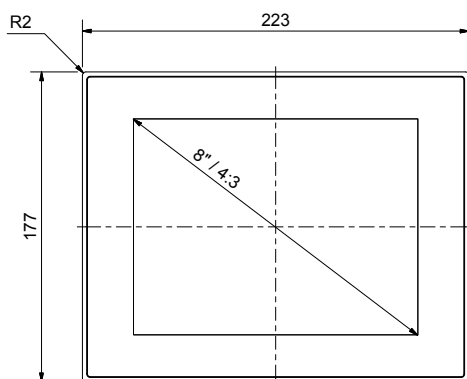
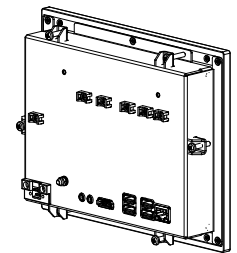
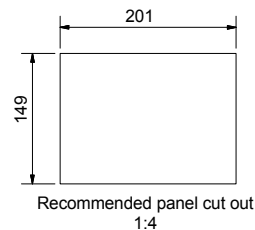
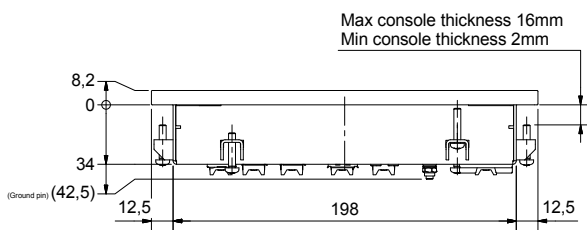


DuraPANEL 8" G-Line Panel PCs are designed for demanding environments where reliable and durable hardware is required.

The G-Line product family has a long track record in the market and features full glass front with integrated P-Cap multi touch.

Mechanical outline

DuraPANEL 8" G-Line - Drop-in



Specifications DuraPANEL 8" G-Line

Display properties

Size	8.0"
Aspect ratio	4:3
Active area	162.0 x 122.0 mm
Luminance	400 Cd/m ²
Contrast	700:1
Native resolution	1024 x 768
View angle	80° (L/R/T/B) typical
Glass	Anti reflection coated front glass
Touch	P-Cap multi touch

Motherboard

Chipset	Intel® SoC solution
CPU	X5-E8000 1.04 GHz 4 cores, 4 threads
Watchdog timer	255 steps
H/W monitoring	Temperature,, Voltage
Wake-on-LAN	Yes
On board graphics	Intel® HD Graphics, ref. to CPU
Graphics supports	DirectX 11.1 open GL 4.2 open CL 1.2

Memory and Storage

Memory	Up to 8 GB DDR3L RAM, SODIMM
Storage	Up to 1.9 TB SSD, SATA 3.0

Operator control interface & OSD

Dimming	DDC/CI internal DisplayPort
Display properties	DDC/CI internal DisplayPort

Power supply/power consumption

DC Power	18 - 31 VDC Dual galvanic isolated
Consumption	15 W Typ. 20 W Max.

OS options

Windows 10	Windows 10 IoT
Linux	Ubuntu

Input/output terminals

DisplayPort	1 x DP female
USB	4 x USB 3.0
RS serial port	1 x 9p D-sub female, 232/422/485
Ethernet	2 x Gbit LAN, Intel I211 AT
Audio line-in	1 x 3.5 mm Jack
Audio line-out	1 x 3.5 mm Jack

Physical dimensions

Dimensions	222 (W) x 192 (H) x 51 (D) mm
Dimensions in box	360 (W) x 240 (H) x 130 (D) mm
Weight	1.0 kg 1.7 kg in box

Environmental

Operating temp.	0 to 40° C
Storage temp.	- 20 to 60° C
Humidity	8 to 95% relative humidity
Protection	IP20 from front - IP22 from rear

Approvals & Certificates

CE	EN 61000-6-2 & EN 61000-6-4
----	-----------------------------