



Features



- 24" New Generation Stainless Steel Display
- True Flat Front Bezel Design and Grade 304 Stainless Steel Enclosure (Grade 316 for Option)
- IP66/IP69K Rated with M12 Connectors
- Support Projected Capacitive Touch and Glass
- Touch on/off Button on the Side Edge for Hygienic Cleaning
- Support Ergonomic Versatile Mounting: Yoke Mounting / Space-saving VESA Mounting

Specifications

| Outside I/O Port- Standard M12 I/O Connector on the rear | |
|--|--|
| VGA | 1 x M12 VGA by 12-pin cable with waterproof cap |
| HDMI | 1 x waterproof HDMI with waterproof cap |
| Touch | 1 x M12 for USB touch with waterproof cap |
| Power | 1 x Power input 1 x Touch on/off button on the side |
| OSD Control Membrane | OSD on the rear side |
| Speaker | 1 x 2W IP65 speaker (optional) |

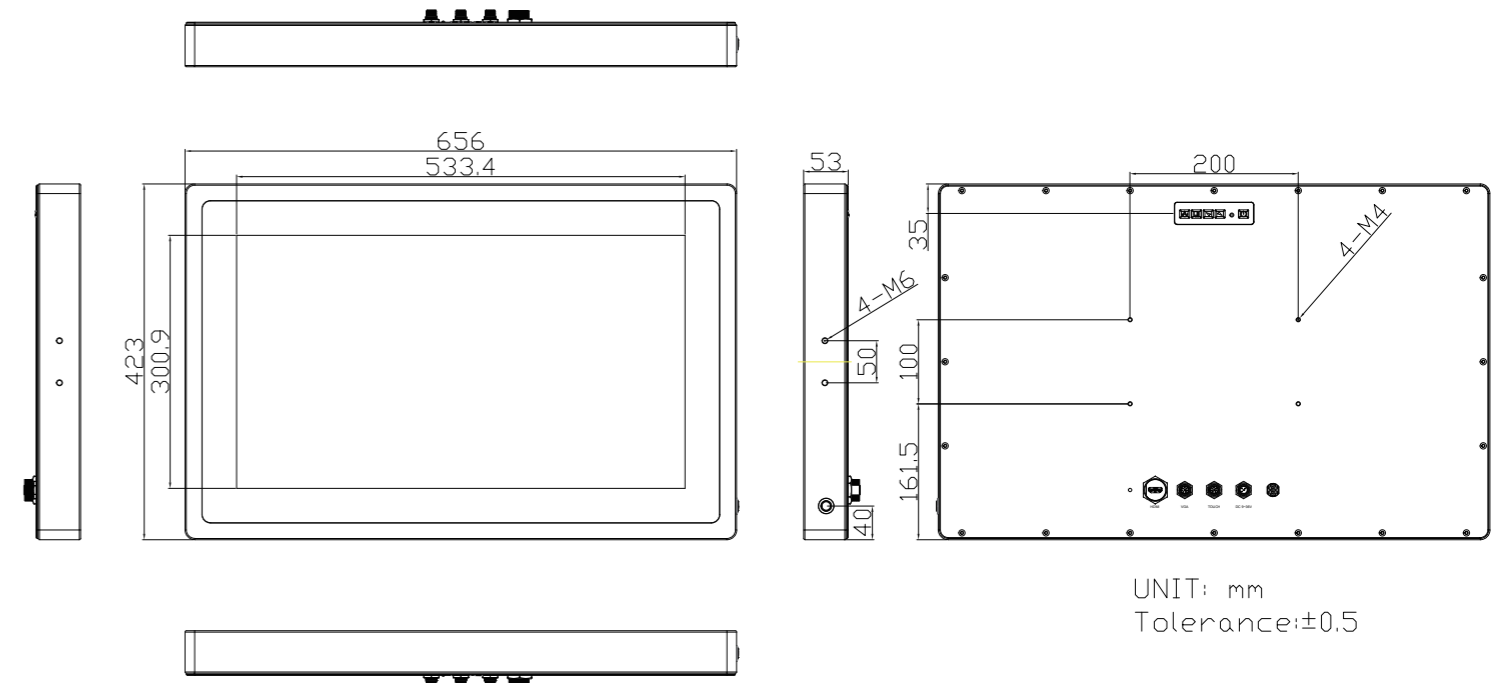
| Display | Standard | High Brightness optional |
|--------------------------------|-------------------|--------------------------|
| Display Type | 24" color TFT LCD | 24" color TFT LCD |
| Max. Resolution | 1920 x 1080 | 1920 x 1080 |
| Max. Color | 16.7M | 16.7M |
| Luminance (cd/m ²) | 250 | 1000 |
| View Angle | 178(H) / 178(V) | 178(H) / 178(V) |
| Contrast | 3000: 1 | 5000:1 |
| Backlight Lifetime | 30,000 Hrs | 50,000 Hrs |
| Option | Optical Boading | Optical Boading |

| Touch Screen | Projected Capacitive | Glass |
|--------------------|----------------------|----------|
| TS Control IC | Chip on tail | NA |
| Interface | USB interface | AR |
| Light Transmission | Over 90% | Over 90% |

| Power | |
|-------------------|-------------------|
| Power input | 9~36V DC |
| Power Consumption | MAX: 26.4W (124P) |

| Mechanical | |
|--------------|---|
| Color | 304 Stainless Steel Enclosure (Default) 316 Stainless Steel Enclosure (Optional) |
| Construction | Stainless steel enclosure |
| Mounting | VESA mount 200 x 100, Yoke mount |
| IP Rating | IP66/IP69K |
| Dimension | 656 x 423 x 53 mm |
| Net Weight | 12 Kg |

Dimensions



| Environmental | |
|---------------------------|----------------------------------|
| Operating temperature(°C) | 0~50°C |
| Storage temperature(°C) | -30°C~70°C |
| Storage humidity | 10 to 90% @ 40°C, non-condensing |
| Certification | CE/FCC class A |

| Ordering information | |
|----------------------|--|
| VITAM-124P-01 | 24"/1920x1080/S.S./PCT(USB)/9~36V/w ADP |
| VITAM-124G-01 | 24"/1920x1080/S.S./GLASS/9~36V/w ADP |
| VITAM-124PH-01 | 24"/1920x1080/1000NITS/S.S./PCT(USB)/9~36V/w ADP |
| VITAM-124GH-01 | 24"/1920x1080/1000NITS/S.S./GLASS/9~36V/w ADP |